



P Series 3-Phase Flange Mounted Type

0.2kW

■ SPECIFICATION

■ MOTOR

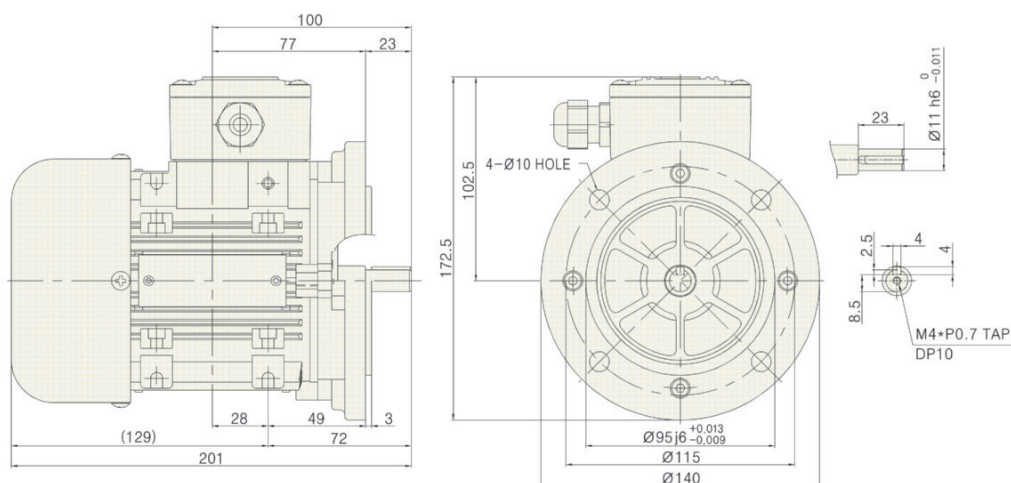
Frame No.	Output (kW)	Model Name	Poles	Voltage (V)	Freq. (Hz)	Duty	Rated Load					Degrees of protection	Insulation Classification	Protective Cooling System
							Current (A)	Speed (r/min)	Torque (kgf·cm)	Power Factor(p.u.)	Efficiency (%)			
63M	0.2	PMAY020-2R4F□□	2	220/380	60	CONT.	1.20/0.70	3450	5.8	0.73	59.5	IP55	F	Totally Enclosed Fan-Cooled
					50		1.10/0.65	2835	6.2	0.72	55.2			
		2	230/400	60	0.65		3435	6.0	0.73	56.6				
				460	60		1.00/0.60	1634	12.0	0.74	71.4			
		4	220/380	60	CONT.		0.85/0.50	1360	13.0	0.78	69.0			
							460	60	0.50	1680	11.5			

Note) • Foot (Leg) Mounted Type and Flange Mounted Type have the same specifications

• Actual rated power for voltage U6 model is 0,18kW at 230V/400V 50Hz and 0,21kW at 460V 60Hz

■ PM-F Type DIMENSIONS [Flange Mounted Type]

UNIT = mm



Note) • Key and Key groove tolerance : KS B 1311
• ØD tolerance for output shaft : KS B 0401

Bearing No.		Weight
Load	Unload	
6202ZZ	6202ZZ	4,35kg

Model Name Coding
9Page

Specification for output shaft
30Page

Technological Data
101Page