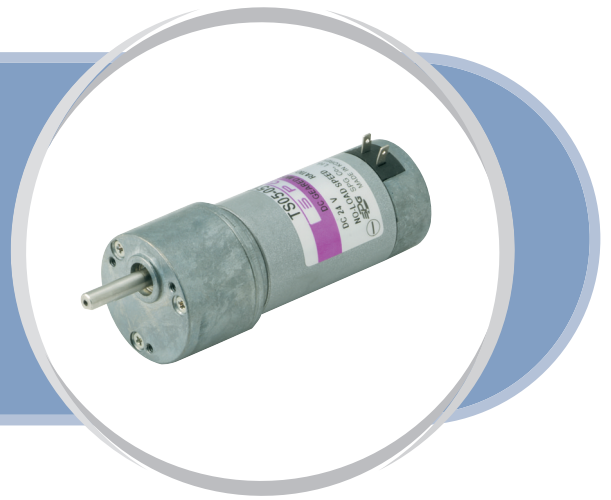
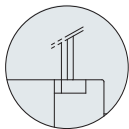
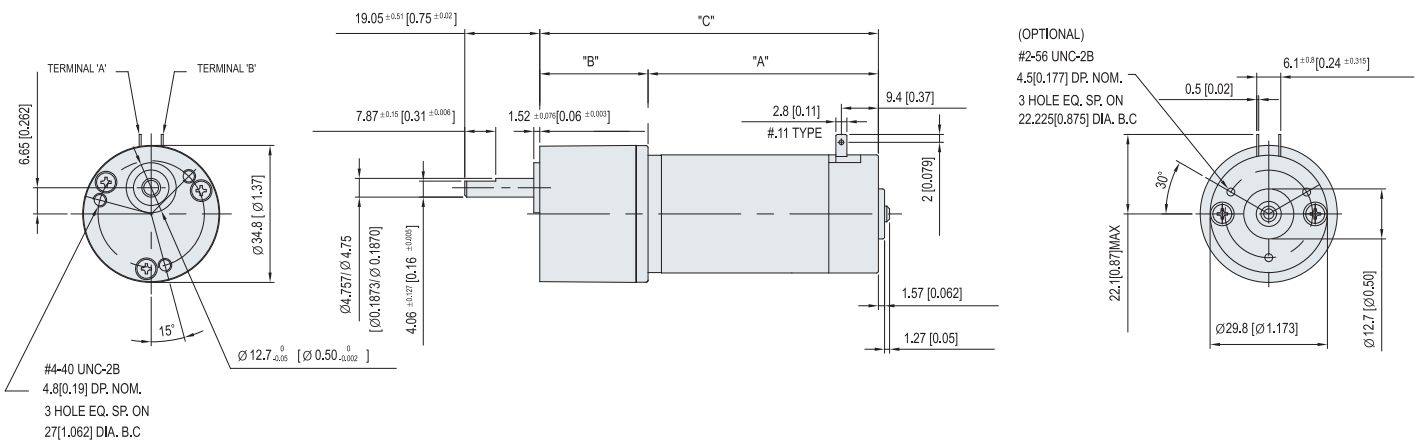


COMPACT TYPE RS3 SERIES GEARED MOTOR



MOTOR DIMENSION

UNIT : mm[inch]



CONNECTOR OPTIONAL
LEAD WIRES
457±10[17.992±0.787](L/W LENGTH)
RED&BLACK

MODEL NO.	"A"	"B"		"C"
		RATIO : ~ 1/187.7	RATIO : 1/297.5 ~	
RS32□□□□	50.1 [1.972]			74.6 [2.937], 77.6 [3.055]
RS33□□□□	52.2 [2.055]	24.5 [0.965]	27.5 [1.083]	76.7 [3.020], 79.7 [3.138]
RS34□□□□	58.5 [2.303]			83.0 [3.268], 86.0 [3.386]

PERMISSIBLE TORQUE OF GEAR BOX

TYPE	GEAR RATIO	6.3	9.9	19.5	30.9	60.5	95.9	187.7	297.5	581.8
RS32B□□□	No Load rpm	1230	783	397	251	128	81	41	26	13
	N-m	0.06	0.08	0.16	0.22	0.44	0.62	1.22	1.23	1.23
	oz-in	7.9	11.2	22.1	31.6	61.8	88.2	172.6	174.8	174.8
	kgf·cm	0.57	0.81	1.60	2.28	4.46	6.36	12.44	12.60	12.60
RS33B□□□	No Load rpm	1291	821	417	263	134	85	43	27	14
	N-m	0.07	0.10	0.20	0.28	0.56	0.79	1.23	1.23	1.23
	oz-in	10.1	14.3	28.2	40.2	78.7	112.3	174.8	174.8	174.8
	kgf·cm	0.73	1.03	2.03	2.90	5.67	8.09	12.60	12.60	12.60
RS34B□□□	No Load rpm	1613	1026	521	329	168	106	54	34	17
	N-m	0.09	0.13	0.26	0.36	0.71	1.02	1.23	1.23	1.23
	oz-in	13.0	18.4	36.2	51.7	101.2	144.3	174.8	174.8	174.8
	kgf·cm	0.94	1.33	2.61	3.72	7.29	10.40	12.60	12.60	12.60

■ ■ Color indicates that the output shaft of the geared motor rotates in the same direction as the output shaft of the motor. Others indicate rotation in the opposite direction.

■ No Load rpm equals Motor no load rpm divided by gear ratio.

The actual rotation speed is less 2-20% than the displayed value according to the load.