



40W

INDUCTION SPEED CONTROL MOTOR

□ 90mm CONNECTOR TYPE

SIZE mm sq.	Motor Type	Controller Type	Poles	Output (w)	Voltage (v)	Freq. (Hz)	Duty	Speed Range (rpm)	Permissible Torque				Starting Torque		Cap. (μF)
									at 1200rpm		at 90rpm		(kg-cm)	(N-m)	
90	S9140GA()-V12 S9140GA()-V12(TP) S9140GA()-V12CE	SUA40IA-V12	4	40	1 ∅ 110	60	Cont.	90-1700	2.70	0.270	1.00	0.100	2.20	0.220	10.0
	S9140GB()-V12 S9140GB()-V12(TP) S9140GB()-V12CE	SUA40IB-V12	4	40	1 ∅ 220	60	Cont.	90-1700	2.70	0.270	1.00	0.100	2.20	0.220	2.5
	S9140GC()-V12 S9140GC()-V12(TP) S9140GC()-V12CE	SUA40IC-V12	4	40	1 ∅ 100	50 60	Cont.	90-1400 90-1700	2.70 2.00	0.270 0.200	0.90	0.090	1.80	0.180	10.0
	S9140GD()-V12 S9140GD()-V12(TP) S9140GD()-V12CE	SUA40ID-V12	4	40	1 ∅ 200	50 60	Cont.	90-1400 90-1700	2.70 2.00	0.270 0.200	0.90	0.090	1.80	0.180	2.5
	S9140GX()-V12 S9140GX()-V12CE	SUA40IX-V12	4	40	1 ∅ 220 1 ∅ 240	50	Cont.	90-1400	2.50 3.00	0.250 0.300	0.70	0.070 0.070	1.70 2.10	0.170 0.210	2.0

- ❖ CE marked at the end of motor model name indicates that it is impedance protected type which has received CE.
- ❖ TP marked at the end of the motor model name indicates that it is standard motor with Thermal Protector mounted.
- ❖ S9140GX()-V12, S9140GX()-V12CE is thermally protected type with TP mounted.
- ❖ () is for marking 'L' type or 'H'. 'L' should be used with gearhead 'L' and 'H' should be used with gearhead 'H'.

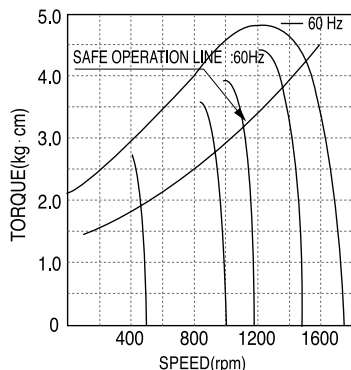
50Hz

GEAR RATIO	MODEL																								
	rpm	500	416	300	250	200	166	150	120	100	83	75	60	50	41	37	30	25	20	16	15	12	10	8	7.5
S9KB□()	kg-cm	8.3	9.9	13.8	16.5	20.7	24.8	27.5	34.4	41.3	49.6	49.6	62.1	74.5	89.4	99.3	100	100	100	100	100	100	100	100	100
	N-m	0.813	0.970	1.352	1.617	2.029	2.430	2.695	3.371	4.047	4.861	4.861	6.086	7.301	8.761	9.731	9.800	9.800	9.800	9.800	9.800	9.800	9.800	9.800	9.800

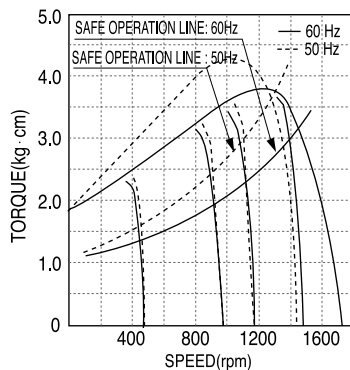
60Hz

GEAR RATIO	MODEL																								
	rpm	600	500	360	300	240	200	180	144	120	100	90	72	60	50	45	36	30	24	20	18	15	12	10	9
S9KB□()	kg-cm	6.8	8.2	11.3	13.6	17.0	20.4	22.7	28.4	34.0	40.8	40.9	51.1	61.3	73.6	81.8	100	100	100	100	100	100	100	100	100
	N-m	0.666	0.804	1.107	1.333	1.666	1.999	2.225	2.783	3.332	3.998	4.008	5.008	6.007	7.213	8.016	9.800	9.800	9.800	9.800	9.800	9.800	9.800	9.800	9.800

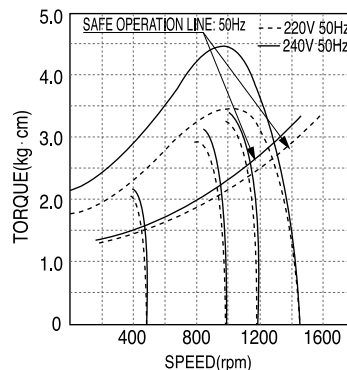
- ❖ The code in □ of gearhead model is for gear ratio.
- ❖ It is the permissible torque of the assembled motor and gearhead.
- ❖ The permissible torque of the motor and inter-decimal gearhead is 100 kg-cm.
- ❖ ■ color indicates that the output shaft of the geared motor rotates in the same direction as the output shaft of the motor. Others indicate rotation in the opposite direction.
- ❖ Rpm is based on synchronous speed (50Hz: 1500rpm, 60Hz: 1800rpm) divided by gear ratio. The actual rotation speed can be 2~20% less than displayed value depending on the load.
- ❖ () is for marking 'L' type or 'H'. 'L' should be used with motor 'L' and 'H' should be used with motor 'H'.



▲ S9140GA()-V12 S9140GB()-V12
S9140GA()-V12(TP) S9140GB()-V12(TP)
S9140GA()-V12CE S9140GB()-V12CE



▲ S9140GC()-V12 S9140GD()-V12
S9140GC()-V12(TP) S9140GD()-V12(TP)
S9140GC()-V12CE S9140GD()-V12CE

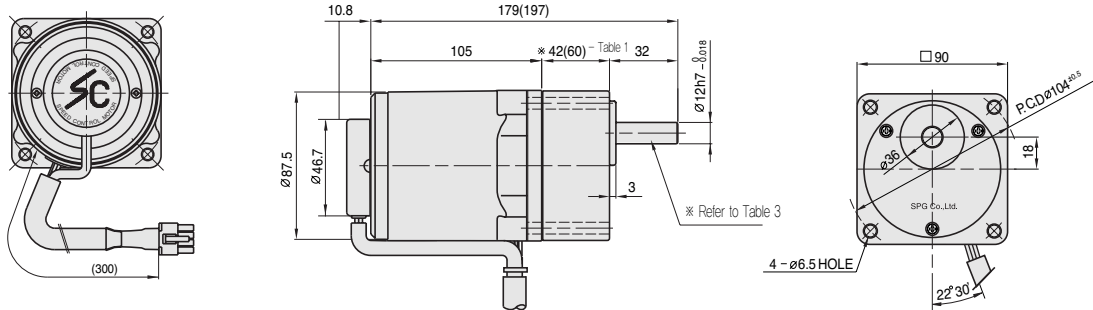


▲ S9140GX()-V12
S9140GX()-V12CE

DIMENSIONS

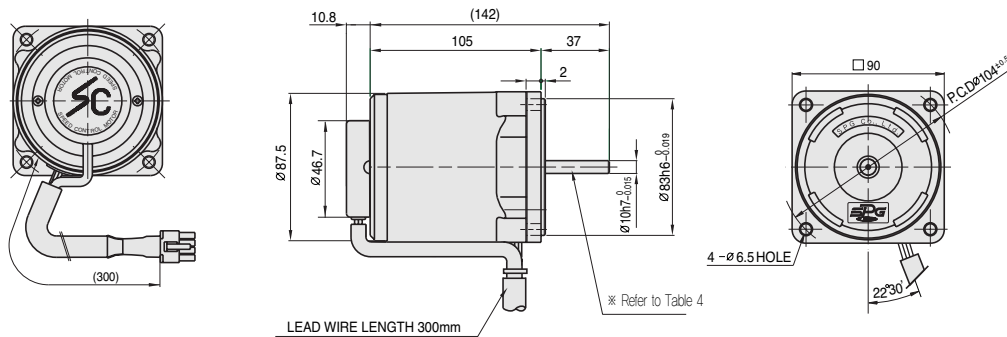
+ GEARED MOTOR

* MOTOR MODEL : S8(15,25)G□-V12
 * HEAD MODEL : S8□A3□~S8□A200□



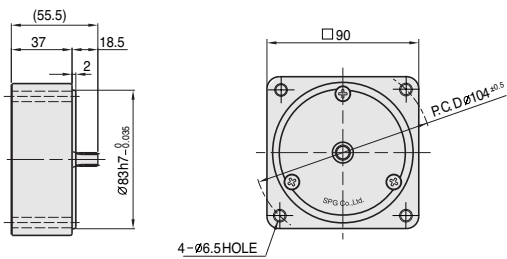
+ MOTOR

* MOTOR MODEL : S8(15,25)□□-V12

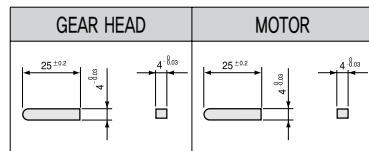


+ INTER-DECIMAL GEAR HEAD

* MODEL : S8GX10B



+ KEY SPEC



+ SPEC for output shaft of motor - (Table 4)

MODEL	TYPES OF OUTPUT SHAFT
GEAR TYPE	
S9I40G□□-V12	
STRAIGHT TYPE	
S9I40S□□-V12	
D-CUT TYPE	
S9I40D□□-V12	
KEY TYPE	
S9I40K□□-V12	

+ *42(60) - (Table 1)

GEAR RATIO	SIZE(mm)
S9□B3□ ~ S9□B18□	42
S9□B20□ ~ S9□B200□	60

+ WEIGHT - (Table 2)

PART	WEIGHT(kg)	
MOTOR	2.42	
DECIMAL GEAR HEAD	0.60	
GEAR HEAD	S9□B3□□ ~ S9□B18□□	0.73
	S9□B20□□ ~ S9□B40□□	1.03
	S9□B50□□ ~ S9□B200□□	1.13

+ SPEC for output shaft of gearhead - (Table 3)

MODEL	TYPES OF OUTPUT SHAFT
STRAIGHT TYPE	
S9SB3□ ~ S9SB200□	
D-CUT TYPE	
S9DB3□ ~ S9DB200□	
KEY TYPE	
S9KB3□□ ~ S9KB200□□	